

**DURMA**

www.durmazlar.com.tr

# PL-C

## PLASMA CUTTING MACHINES WHAT IS THE AMAZING NEWS FOR PL-C?

COMPACT & EASY TO UPGRADE OF CAPACITY



Compact style bodies connected to each other and create bigger size machines easily

Modular frame construction

Reduced and easy installation time

Filter capacity decreased by controlling gas suction canals according to cutting area. (12000m<sup>3</sup>/h-7000m<sup>3</sup>/h)

Cutting table strips can be fixed easily to the machine frame

Gas suction doors covers are now half pneumatic and creates better flow

Linear guide and helix rack & pinion used to enhance cutting precision

By using wheel system on bridge gives advantage to eliminate guide, guide car and bellow

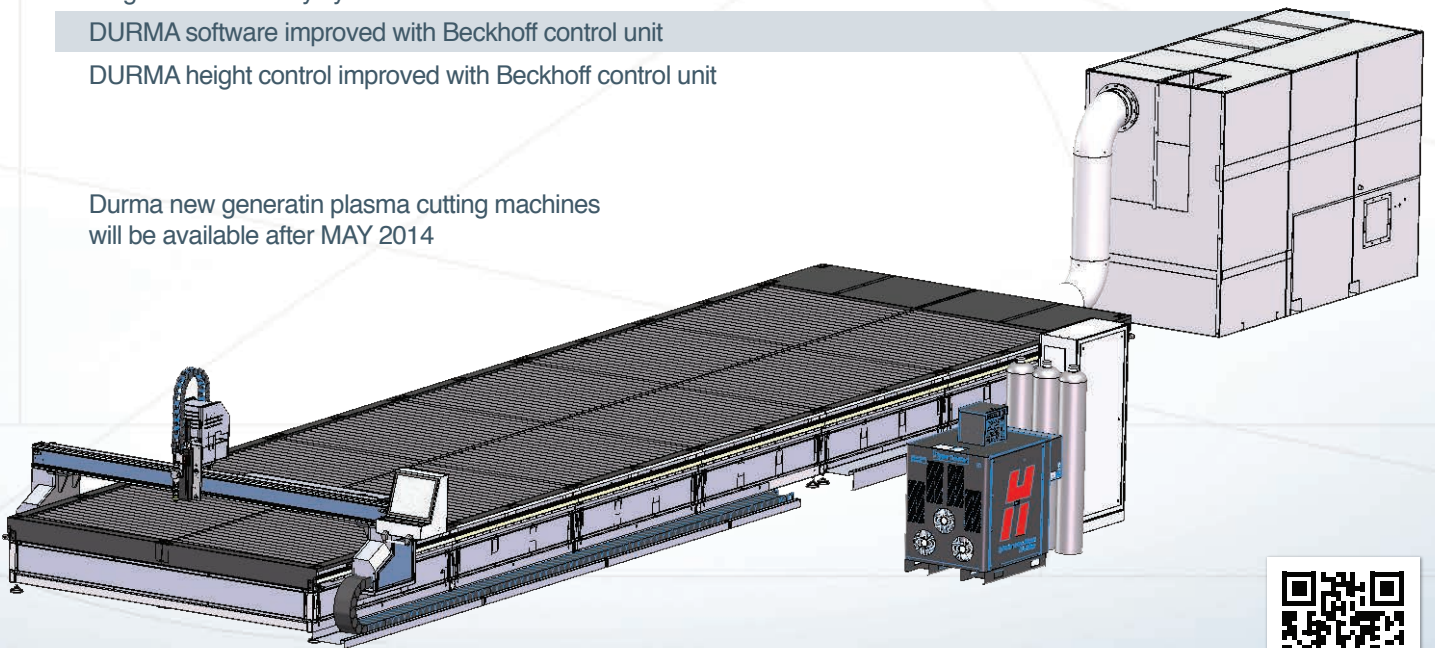
DURMA THC system makes the height control and operate PL+ OC

Magnetic breakaway system

DURMA software improved with Beckhoff control unit

DURMA height control improved with Beckhoff control unit

Durma new generatin plasma cutting machines  
will be available after MAY 2014



## OUR NEW SERIES PLASMA CUTTING MACHINES

PL-C 1530  
PL-C 2040  
PL-C 2060  
PL-C 20120  
PL-C 2580  
PL-C 25120  
PL-C 3080  
PL-C 30120  
PL-C 30140  
PL-C 40120

## STANDARD FEATURES

Welded steel construction  
Durma CNC control Unit  
Remote control diagnostic (Ethernet)  
Lantek Software with Auto nesting  
Cutting plate alignment by Laser  
Durma Torch height control  
Two side motion control system (Rack & pinion)  
AC Servomotors for X & Y axes motion  
Fixed CNC control panel  
CNC control outputs/inputs for filter unit  
Consumables starting kit  
Hypertherm plasma torch  
Ignition console  
Torch height control travel with ballscrew on dual linear guides

## OPTIONS

Single head plasma  
Plasma + oxygen cutting (Oxygen max 120mm)  
Manuel angle cutting adaptation ( $\pm 45^\circ$ )  
CNC 5 axis bevel cutting head  
Single drilling ( $\varnothing 20 - M16$ )  
1-4 drilling head  
Profile cutting min  $\varnothing 50 \times (\varnothing 250 - \varnothing 400 - \varnothing 600)$ , length max.6000mm

## HYPERTERM POWER SOURCE

**HyPerformance Plasma**  
**HPR400XD**



**HyPerformance Plasma**  
**HPR260XD**



**HyPerformance Plasma**  
**HPR130XD**

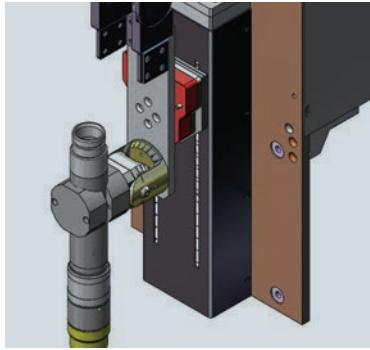
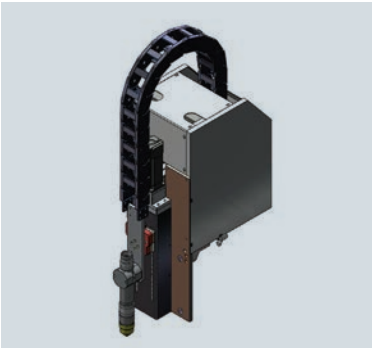


**MAXI200**



## PLASMA CUTTING FEATURES AND OPTIONS

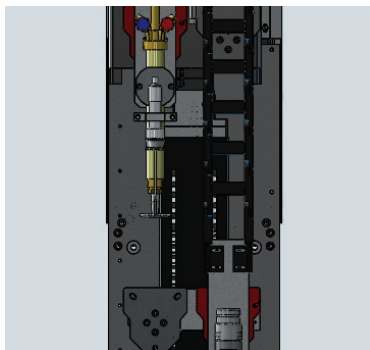
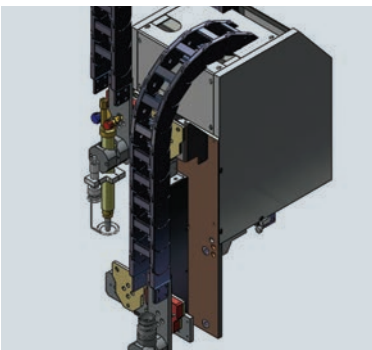
Manuel Angle Cutting Adaptation  $\pm 45^\circ$  (right-left; front-back)



Durma manuel bevel head as a standard features

## PLASMA + OXY CUT

Single Height Control

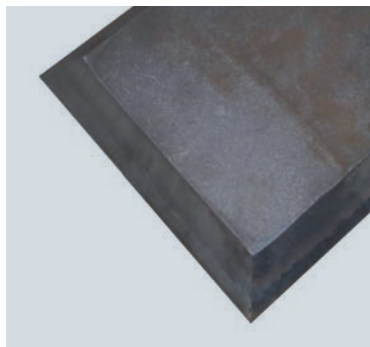
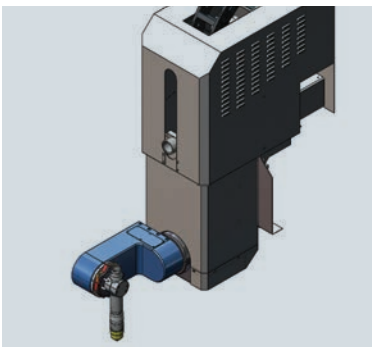


Compact cutting head settings for plasma torch and oxy torch.

Easy to select manually plasma or oxy head with magnetic slot

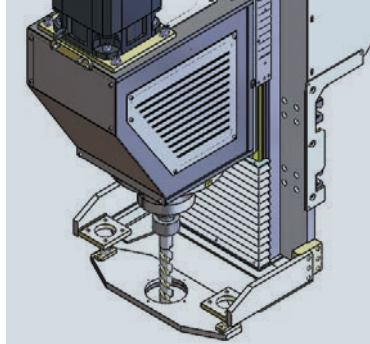
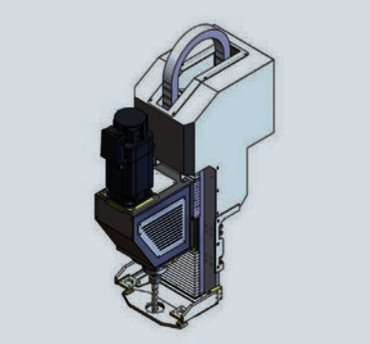
## CNC CONTROLLED 5 AXIS BEVEL CUTTING HEAD

Automatic Torch Height Control



A axis angle  $\pm 45^\circ$   
B axis angle  $\pm 45^\circ$   
Protection for collision

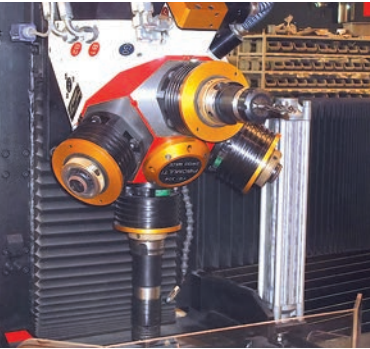
## SINGLE DRILLING HEAD



Drilling capacity : Ø20  
Tapping : M16  
Tool holder : BT40

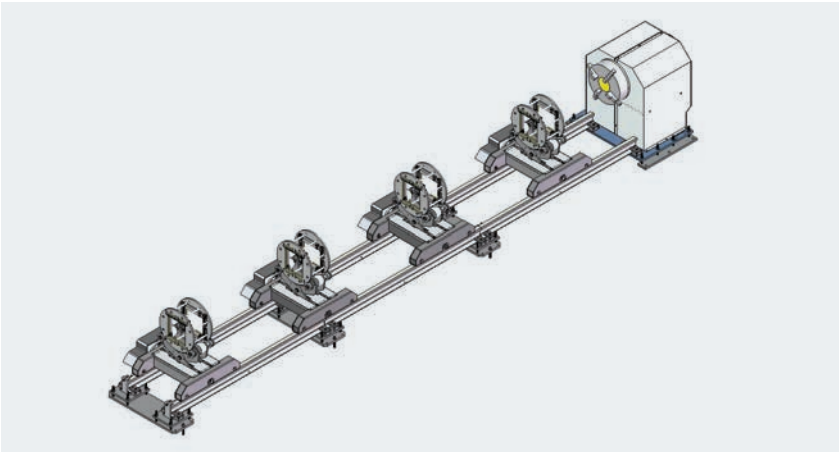
## 1-4 DRILLING HEAD

Single Height Control



Drilling capacity : Ø20  
Tapping : M16  
Tool holder : BT40

## PROFILE CUTTING UNIT

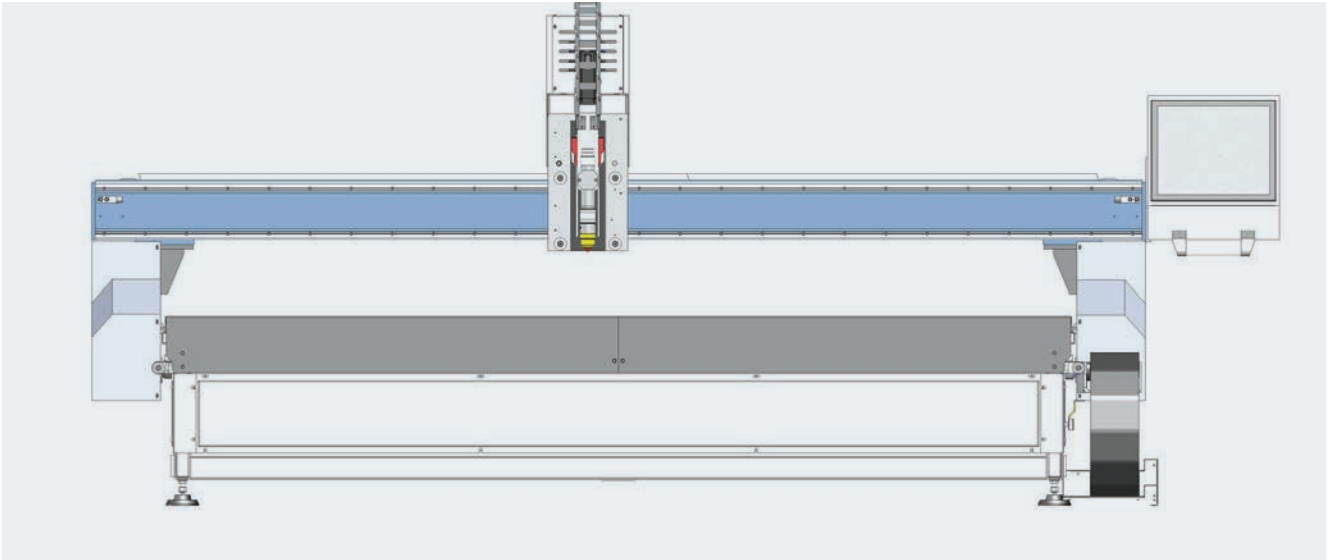


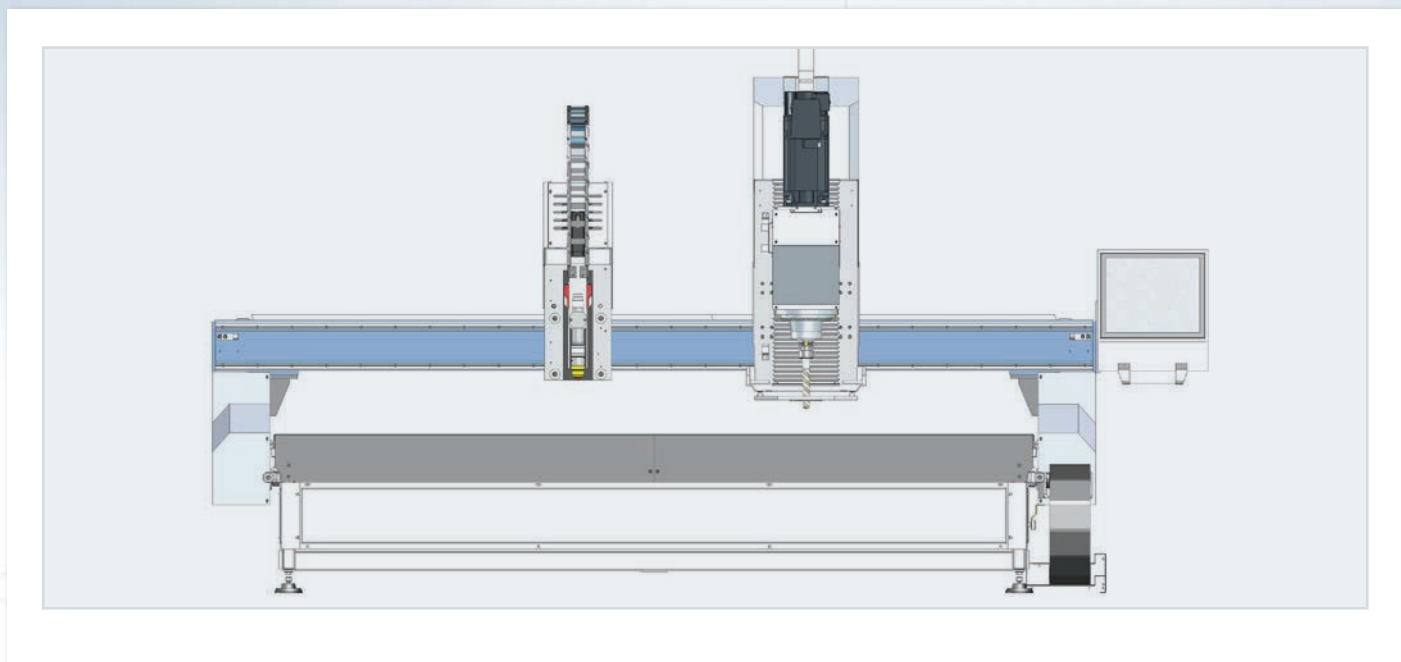
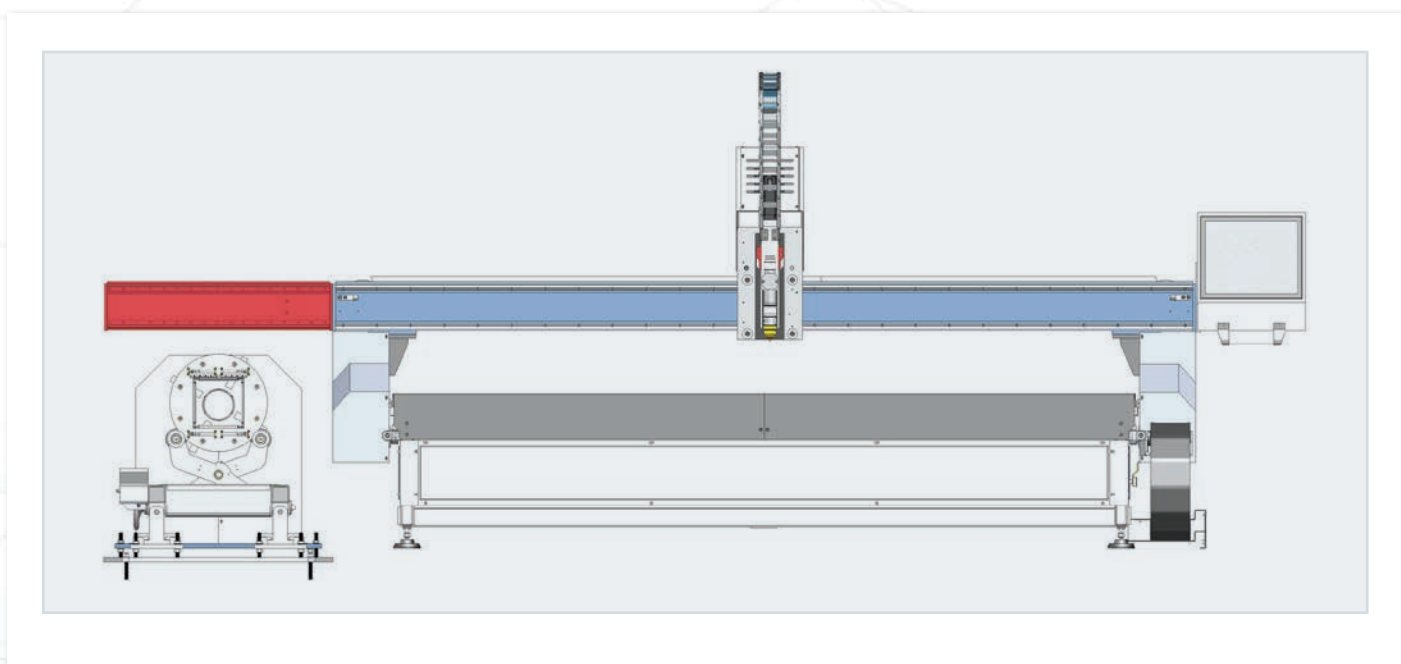
Ø50 - Ø250  
Ø50 - Ø400  
Ø50 - Ø600  
Support system at every 3 meters  
Box profile support system

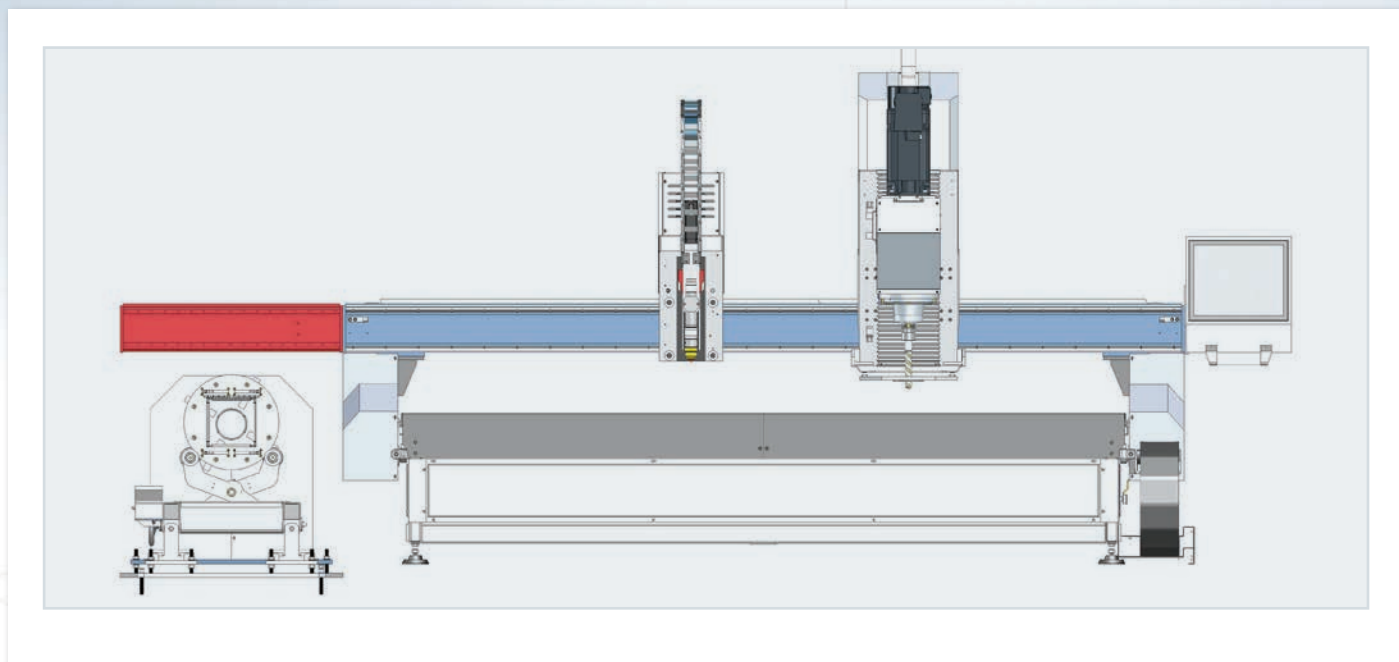
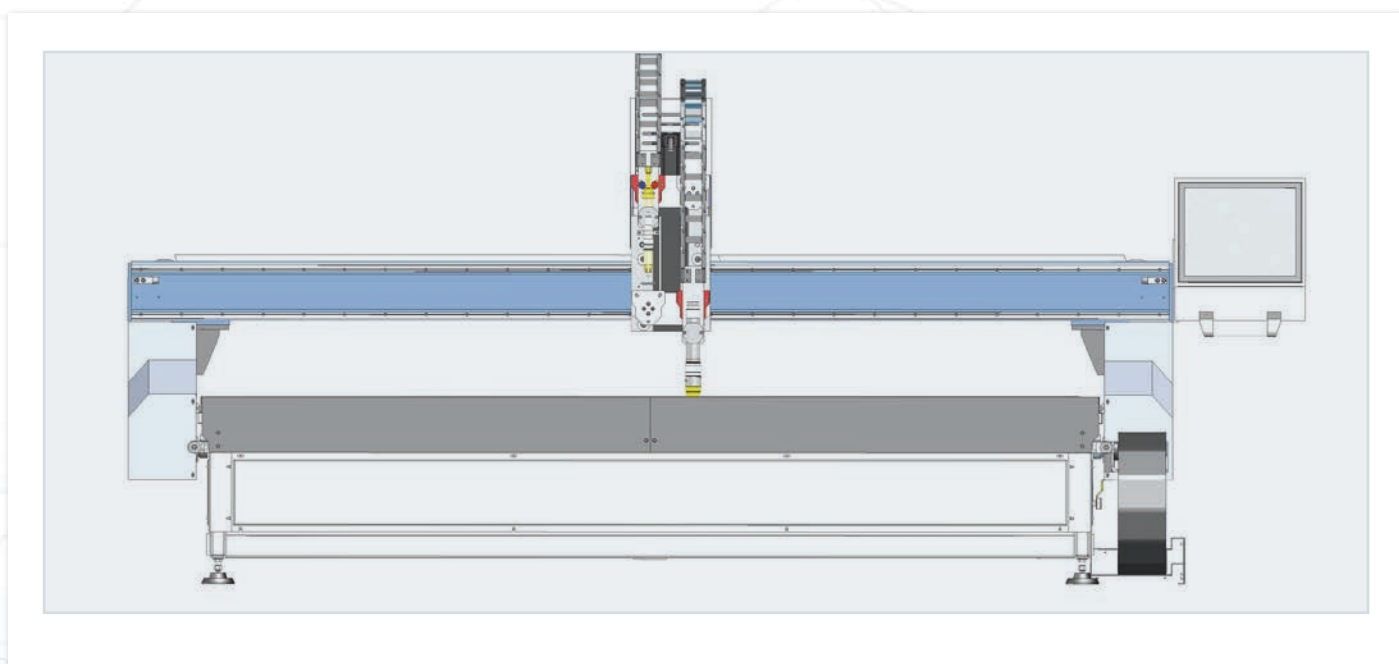
## AVAILABLE CONFIGURATIONS FOR SALE

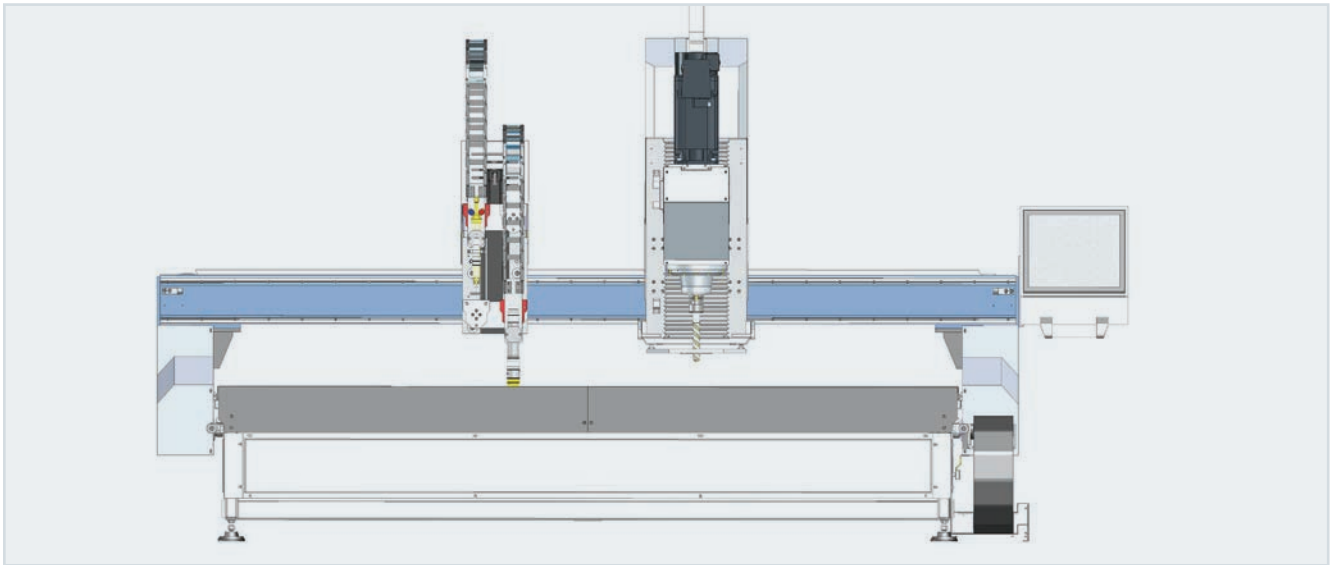
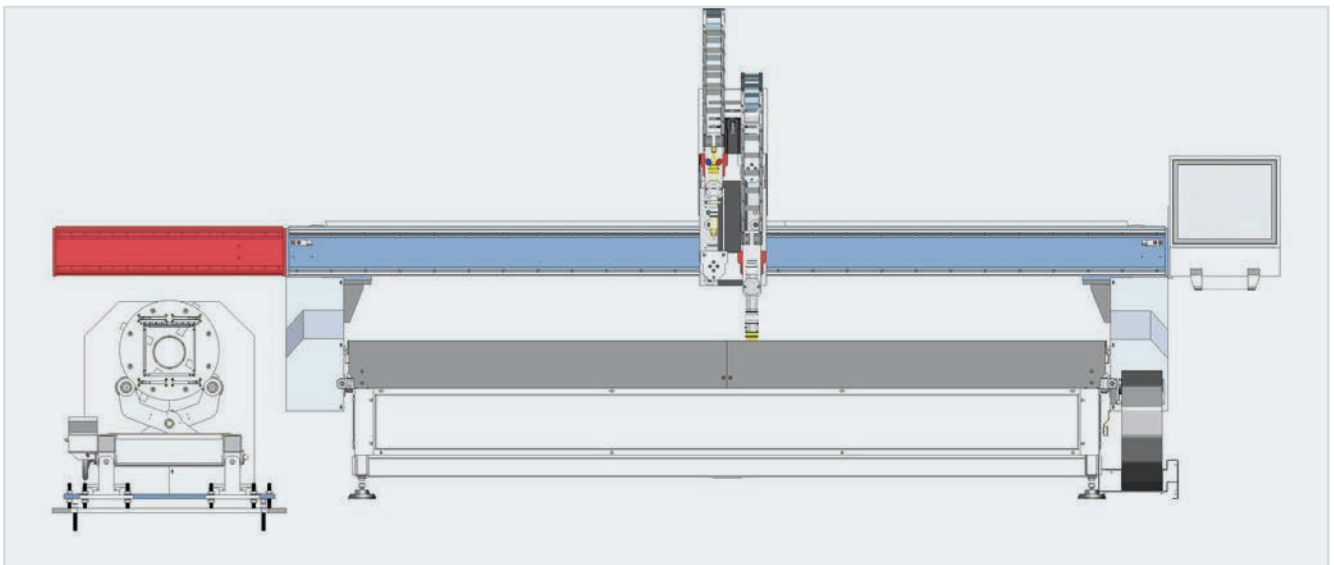
- PL
- PL + DRILLING
- PL + PIPE & PROFILE CUTTING
- PL + DRILLING + PIPE & PROFILE CUTTING
- PL + OC
- PL + OC + DRILLING
- PL + OC + PIPE & PROFILE CUTTING
- PL + OC + DRILLING + PIPE & PROFILE CUTTING
- BEVEL CUTTING (CNC 5 AXIS)
- BEVEL CUTTING + DRILLING
- BEVEL CUTTING + PIPE & PROFILE CUTTING
- BEVEL CUTTING + DRILLING + PIPE & PROFILE CUTTING
- BEVEL CUTTING + OC
- BEVEL CUTTING + OC + DRILLING
- BEVEL CUTTING + OC + PIPE & PROFILE CUTTING
- BEVEL CUTTING + OC + DRILLING + PIPE & PROFILE CUTTING

## PLASMA CUTTING

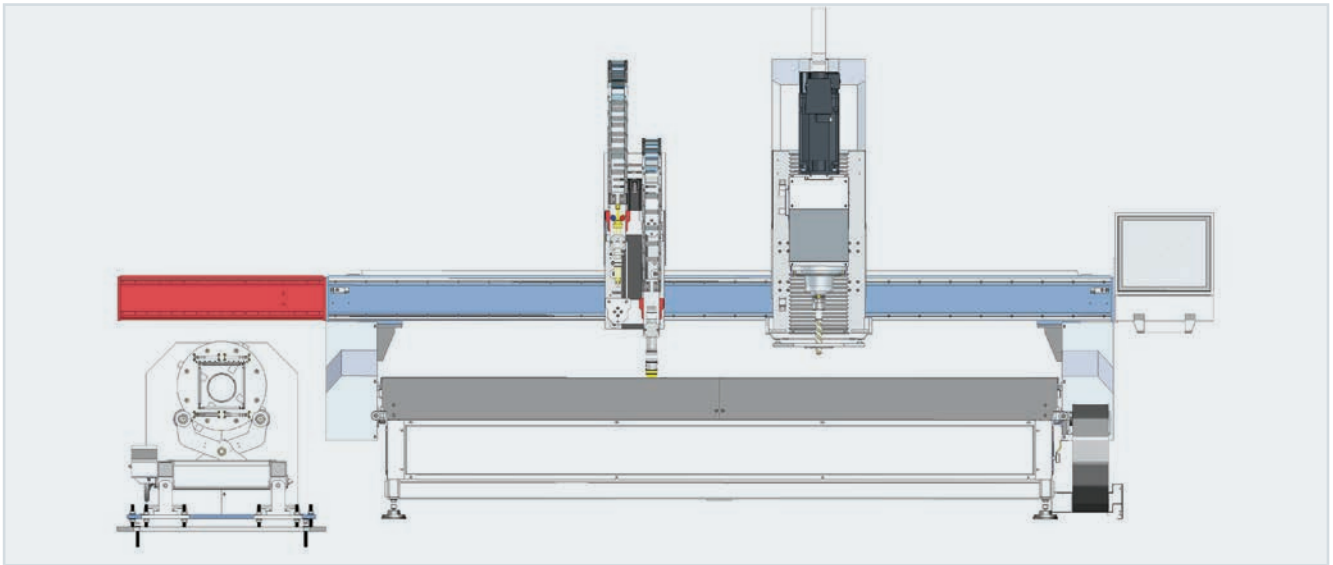
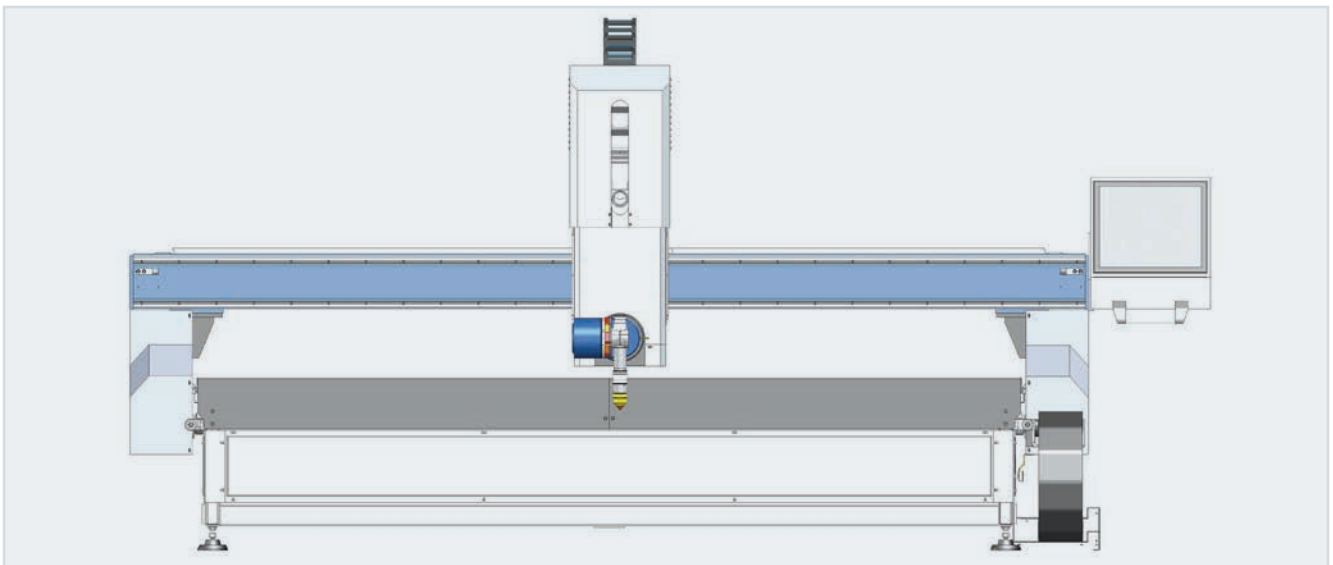


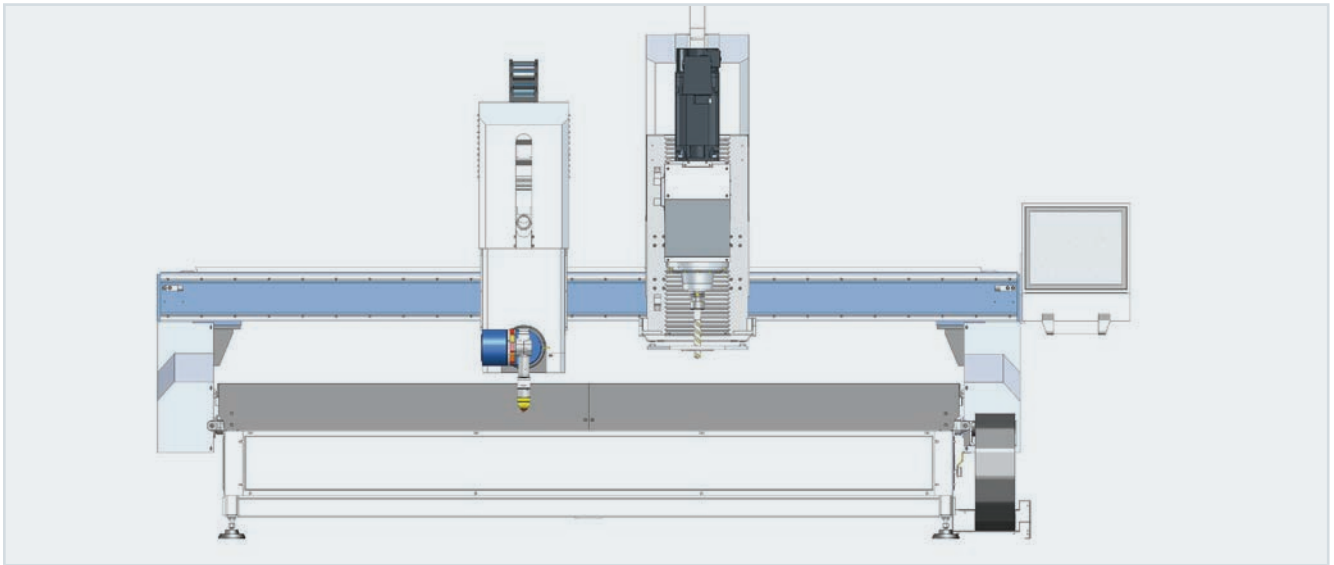
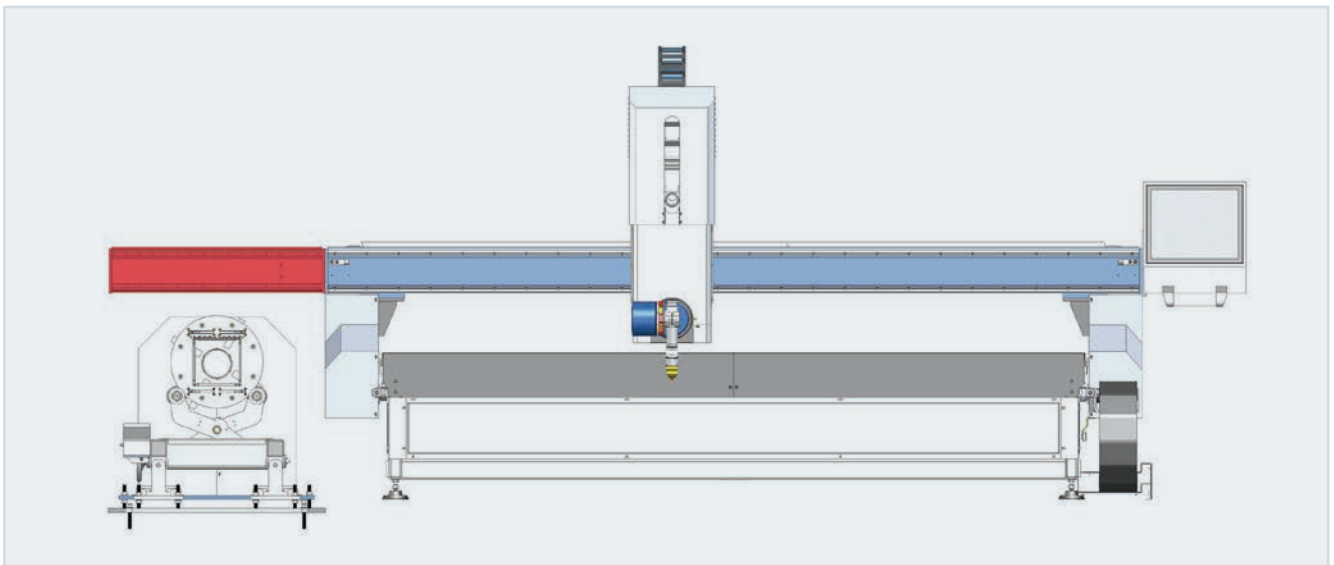
**PLASMA CUTTING + DRILLING****PLASMA CUTTING + PIPE & PROFILE CUTTING**

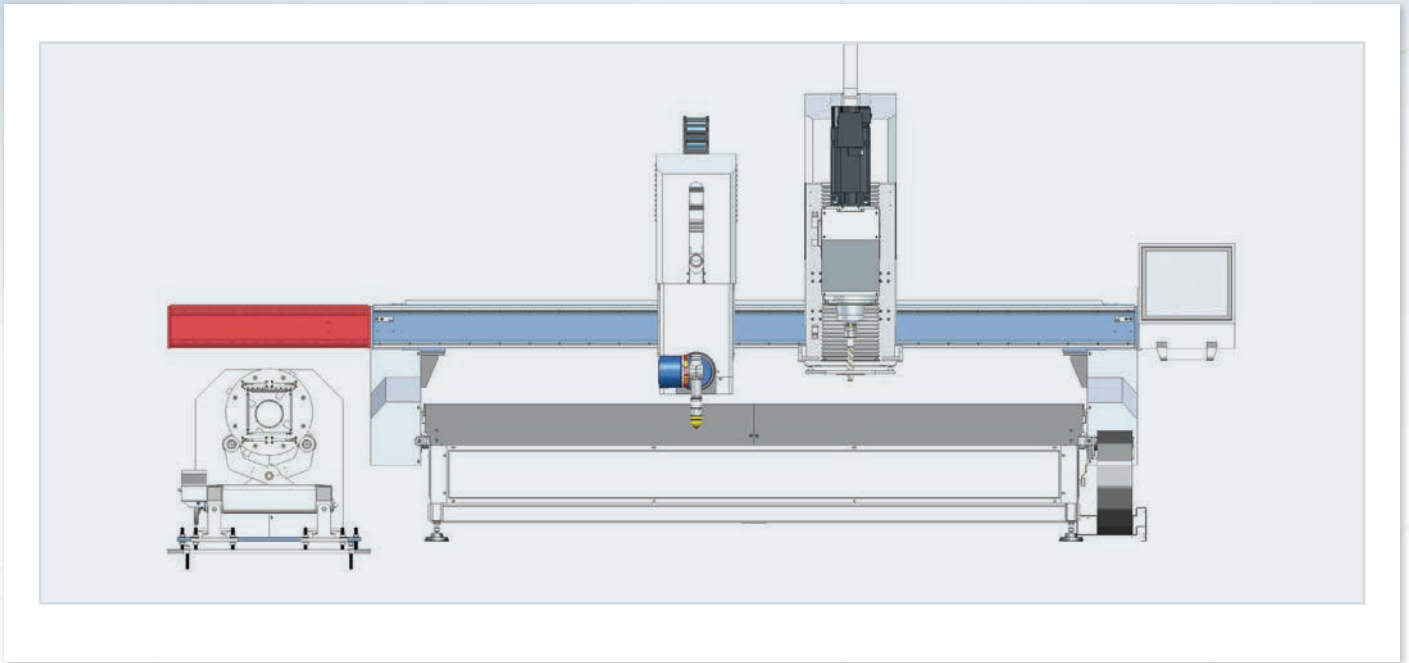
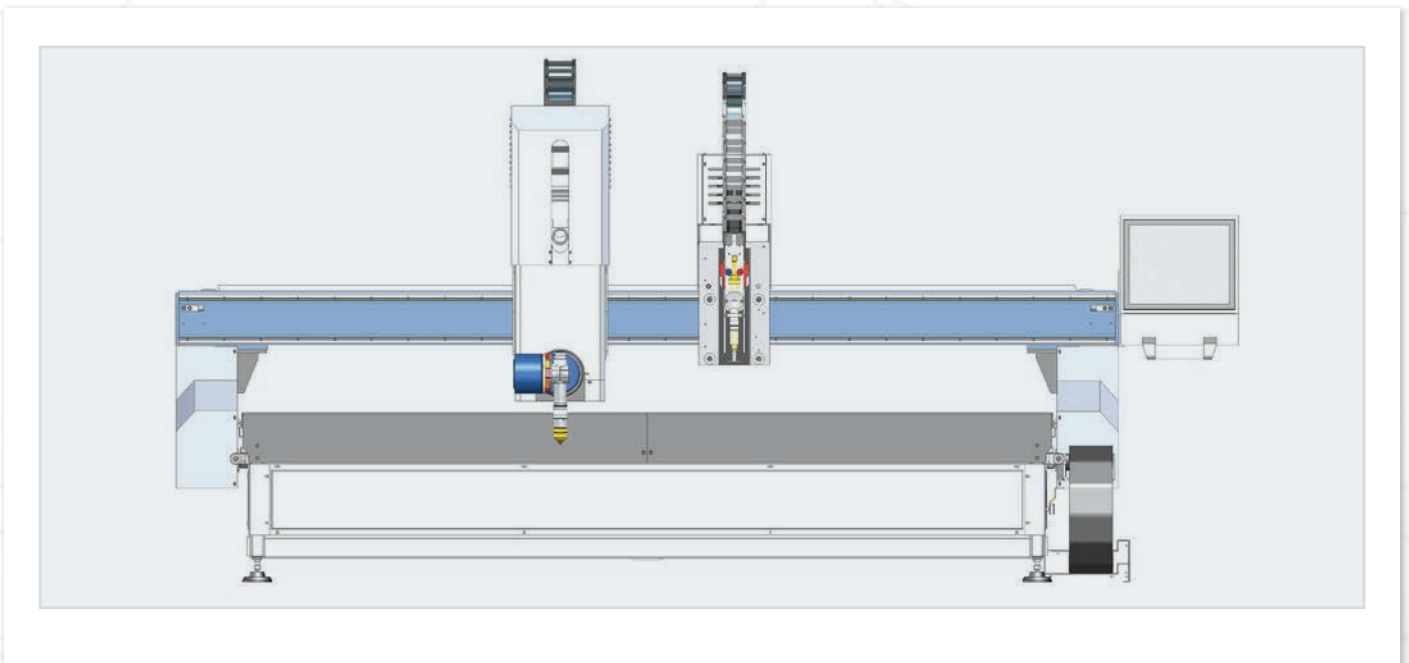
**PLASMA CUTTING + DRILLING + PIPE & PROFILE CUTTING****PLASMA CUTTING + OXY CUTTING**

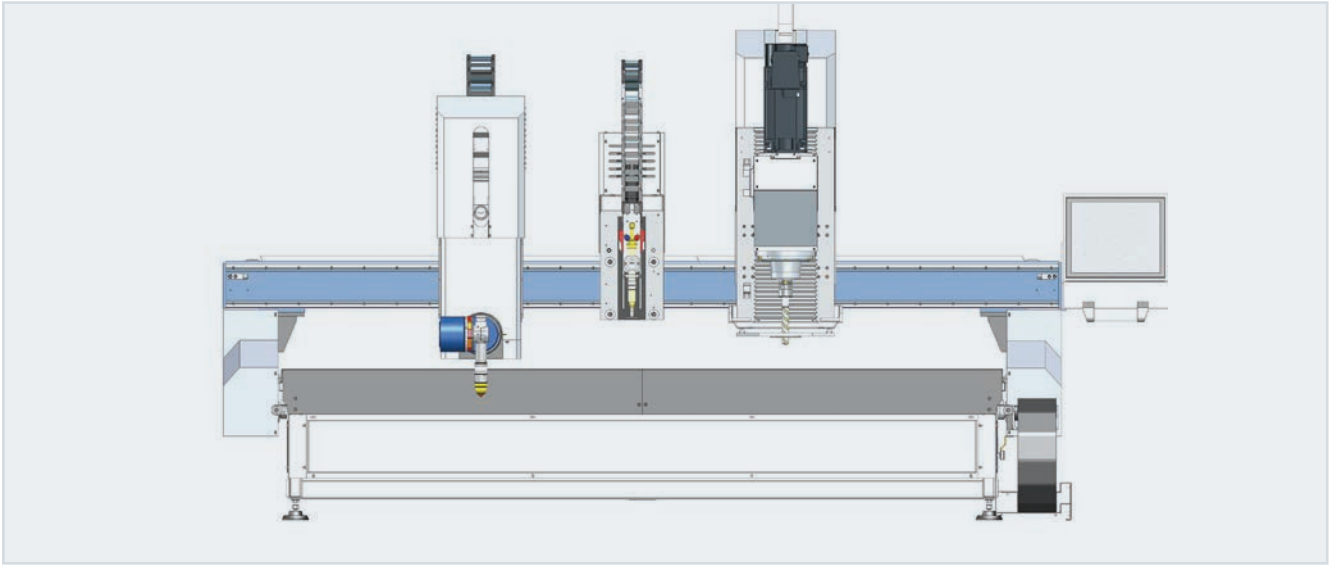
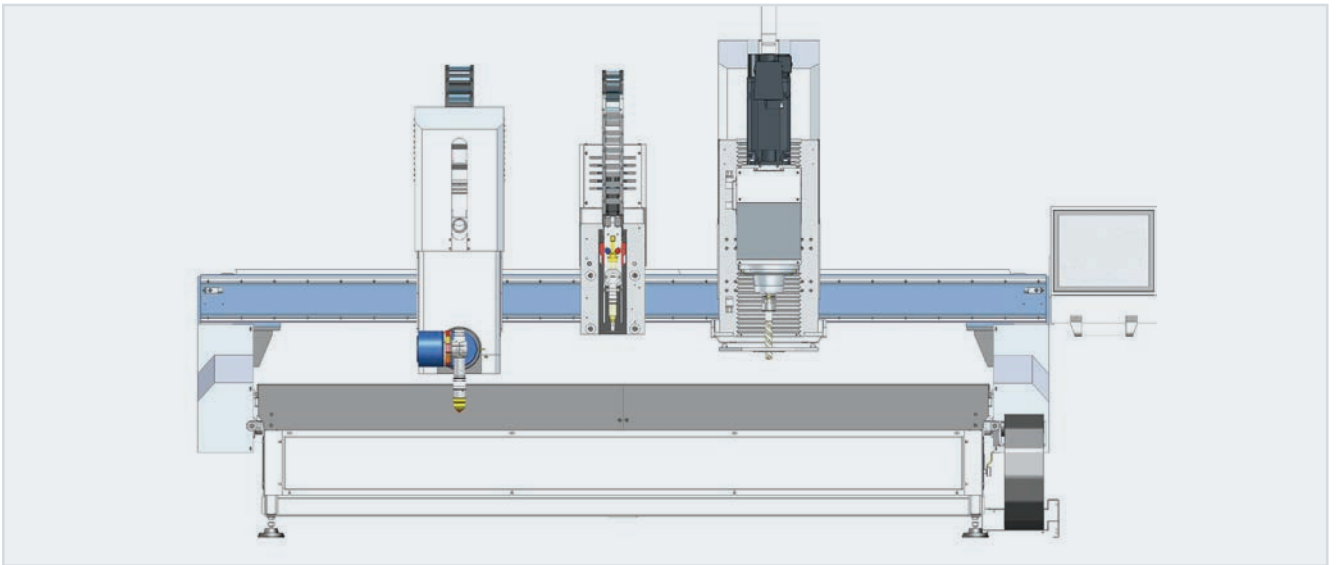
**PLASMA CUTTING + OXY CUTTING + DRILLING****PLASMA CUTTING + OXY CUTTING + PIPE & PROFILE CUTTING**



**PLASMA CUTTING + OXY CUTTING + PIPE & PROFILE CUTTING + DRILLING****BEVEL CUTTING (5 AXIS)**

**BEVEL CUTTING + DRILLING****BEVEL CUTTING + PIPE & PROFILE CUTTING**

**BEVEL CUTTING + DRILLING + PIPE & PROFILE CUTTING****BEVEL CUTTING + OXY CUTTING**

**BEVEL CUTTING + OXY CUTTING + DRILLING****BEVEL CUTTING + OXY CUTTING + PIPE & PROFILE CUTTING**

**BEVEL CUTTING + OXY CUTTING + DRILLING + PIPE & PROFILE CUTTING**